

## Contents of each kit:

### 1800 mm W x 1200 mm H

- » 15 x Slats – 1795 mm W
- » 2 x Slat Channels – 1200 mm H
- » 2 x Cover Strips
- » 2 x Slat Channels Caps
- » 34 x Screws – 15 mm
- » 2 x Slat Spacer Tools

### 900 mm W x 1766 mm H

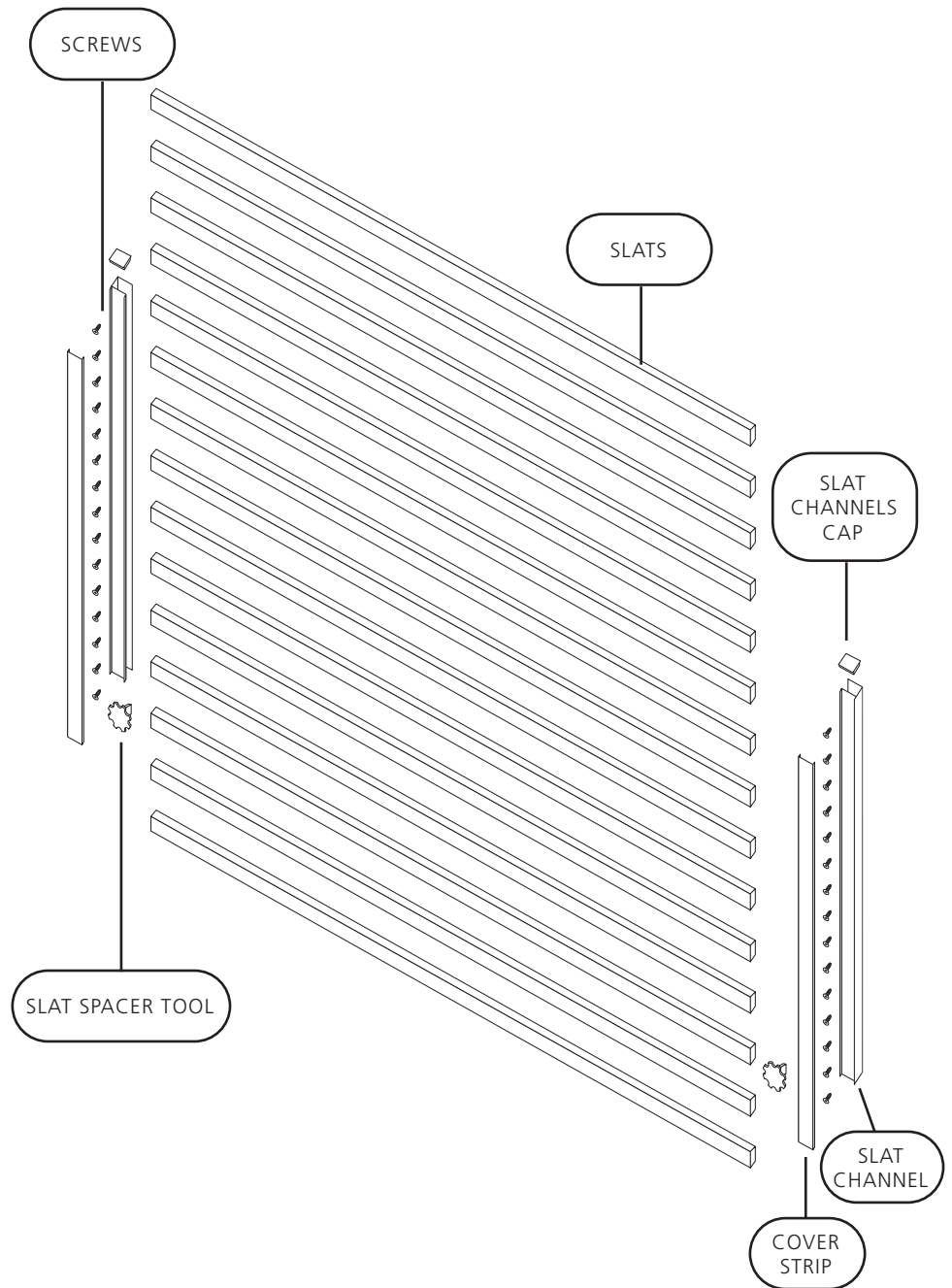
- » 22 x Slats – 895 mm W
- » 2 x Slat Channels – 1766 mm H
- » 2 x Cover Strips
- » 2 x Slat Channels Caps
- » 48 x Screws – 15 mm
- » 2 x Slat Spacer Tools

### 2000 mm W x 1766 mm H

- » 22 x Slats – 1995 mm W
- » 2 x Slat Channels – 1766 mm H
- » 2 x Cover Strips
- » 2 x Slat Channels Caps
- » 48 x Screws – 15 mm
- » 2 x Slat Spacer Tools

### 2350 mm W x 308 mm H

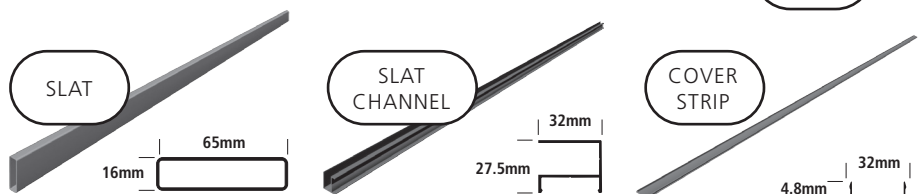
- » 4 x Slats – 2345 mm W
- » 2 x Slat Channels – 308 mm H
- » 2 x Cover Strips
- » 2 x Slat Channels Caps
- » 12 x Screws – 15 mm
- » 2 x Slat Spacer Tools



#### All you require:



Optional if cutting, Circular Saw or Hacksaw



#### IMPORTANT INFORMATION

This product is intended for use as decorative Screening only ("the Intended Use"). This product is not suitable for areas protecting a fall of 1 metre or more, nor is it suitable for use as pool fencing, balustrading, or for other structural applications. Consult with your local building authority to determine product suitability before commencing works with this product. You must use this product in accordance with all applicable laws and regulations and for the Intended Use. It is your responsibility to check with your local authorities on

all relevant laws and regulations relevant to use of this product. Incorrect use or misuse of this product could potentially result in loss, damage, injury, or even death. The customer assumes to the maximum extent permitted by law, all the risks inherent in the use of this product, including the risk of serious injury, death or damage to property resulting from use of the product, regardless of how such death, injury or damage was sustained and in all cases where the product has been used other than for the Intended Use.

#### Warranty

Our goods come with guarantees that cannot be excluded under the Australian & New Zealand Consumer Laws. You are entitled to a replacement or refund for a major failure and compensation for any other reasonably foreseeable loss or damage. You are also entitled to have the goods repaired or replaced if the goods fail to be of acceptable quality and the failure does not amount to a major failure. In addition to these guarantees and for your peace of mind, we also offer a 10 year warranty on our product. This warranty is subject to our terms and

conditions. You can access the full terms and conditions of this warranty here: [www.protectoral.com/warranty/garden/](http://www.protectoral.com/warranty/garden/) You should read these terms and conditions in full prior to purchase of this product. By purchasing this product you accept our terms and conditions of the warranty.



**IMPORTANT: Read these steps from start to finish BEFORE beginning assembly.**

### Step 1: Position the First Slat

Place your first Slat inside the Slat Channels, aligning with the bottom of the Channel.

### Step 2: Check and Fix the Slat

Ensure the Slat is level, the Slat Channels are square, and the Slat Screen width is correct before fixing the first Slat with 4 of the provided screws (2 on each side).

### Step 3: Insert the Next Slat

Slide the next Slat into the Slat Channels from the top down. Use the 2 x 16 mm spacers provided (1 near each Slat Channel).

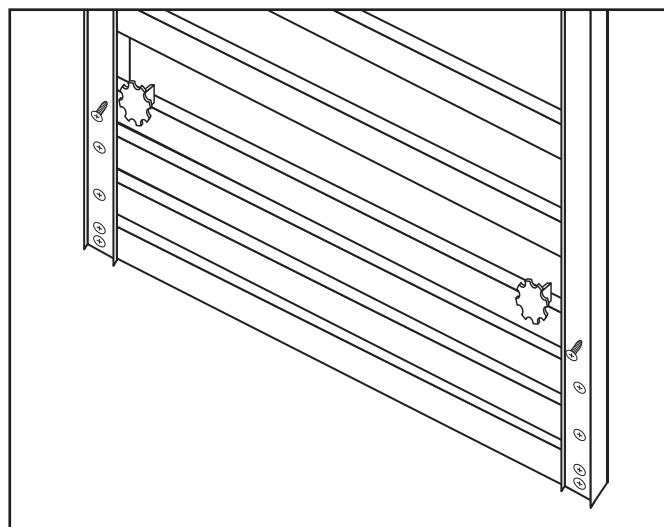
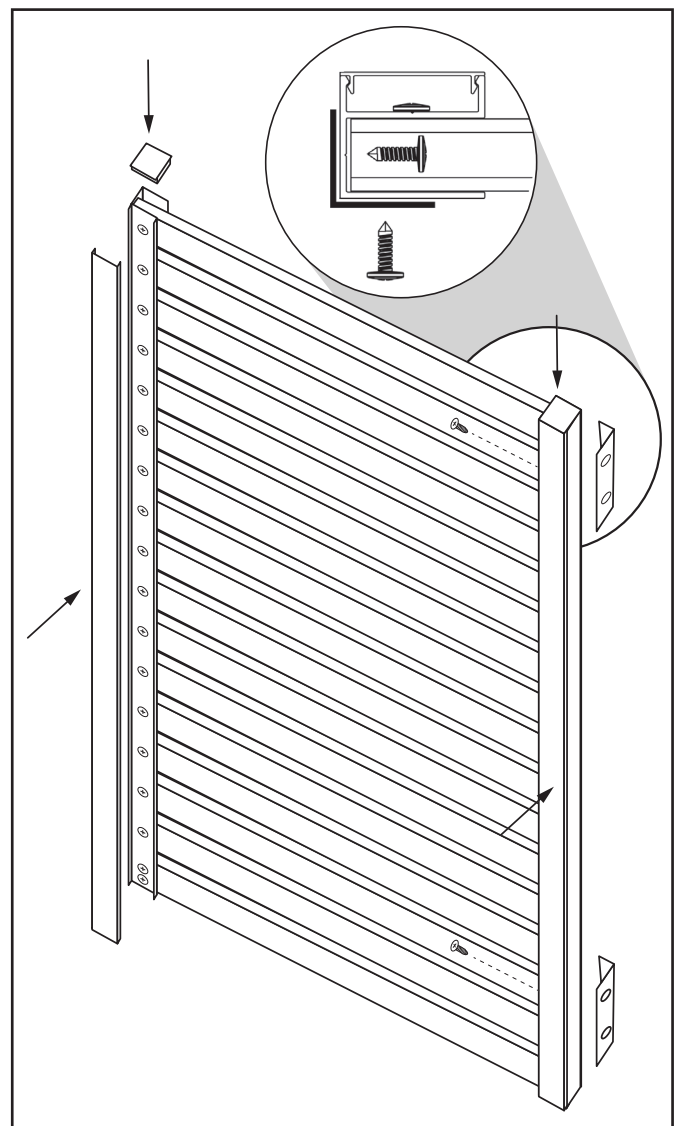
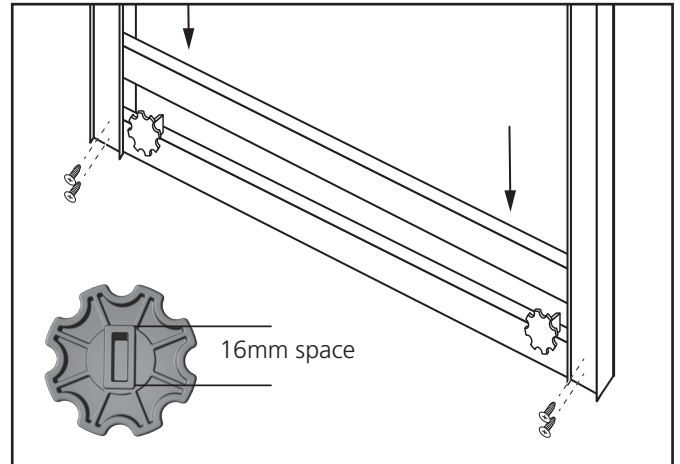
### Step 4: Repeat Steps 2 and 3

Continue repeating Steps 2 and 3 until all required Slats are fitted.

**Important:** 1 Screw per Slat, per side. 2 Screws per side only required for **first** and **last** Slats.

### Step 5: Attach Cover Strips

Clip the Cover Strips onto the Slat Channels to hide the screws, starting from the bottom and working your way up.



### Step 6: Add Slat Channel Caps (if needed)

Insert the 2 x Slat Channel Caps.

**Your Aluminium Slat Screen is now fully assembled.**

For fixing your Aluminium Slat Screen to a post or structure, consider using Protector AI Garden Posts and/or Screen Fixing Brackets for a matching powder coat finish.

**Note:** These cannot be installed on the channel cover strip



Scan QR Code to use our simple Measurement Calculator or go to [www.protectoral.com.au/products/slat-screens](http://www.protectoral.com.au/products/slat-screens)

